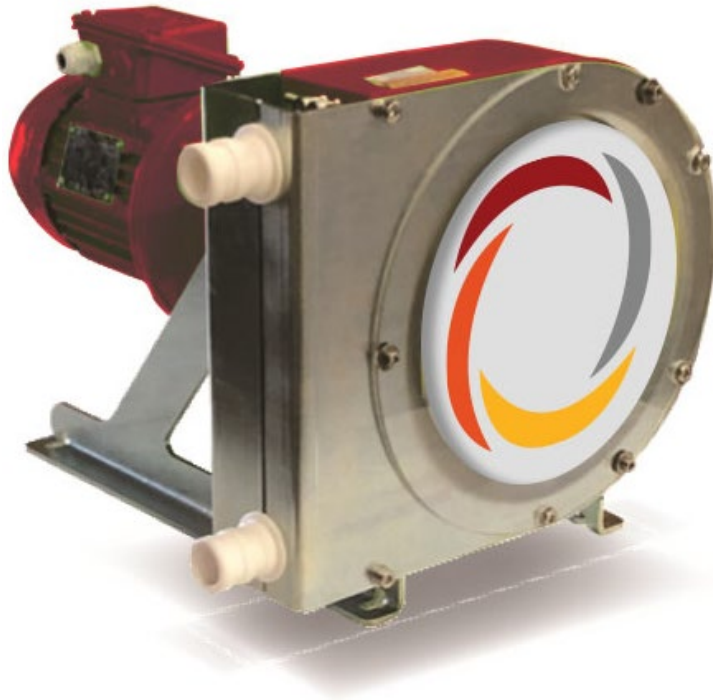


PEAK

OPEN FLOW PUMPS



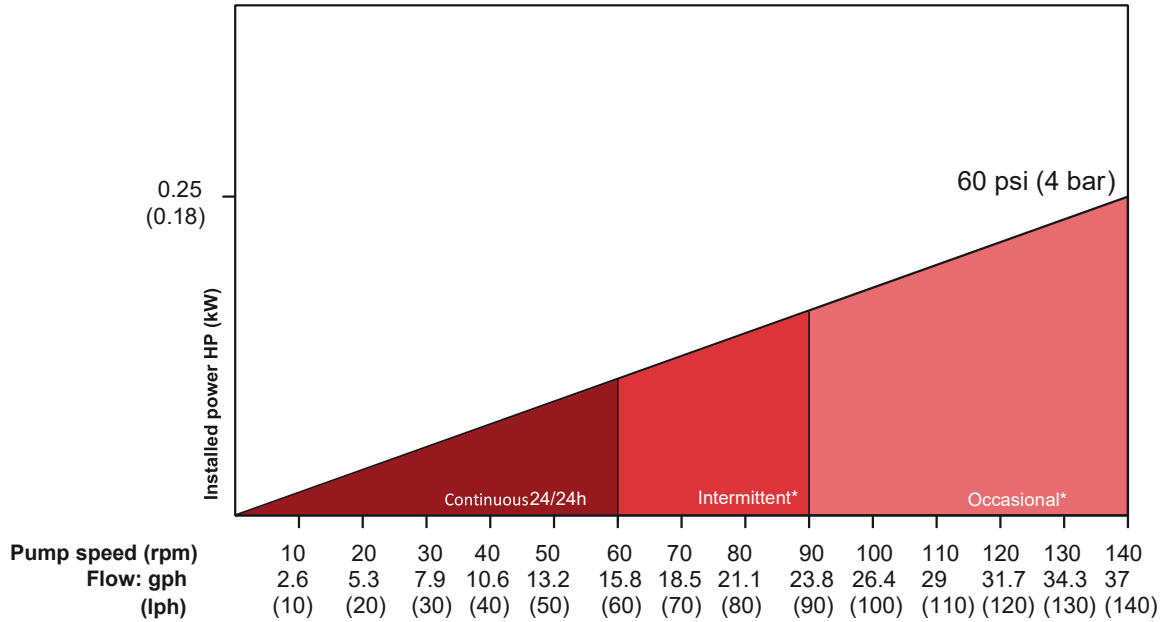
DAEPUMPS.COM

info@daepumps.com

(760) 821-8112

PEAK09N

Data Sheet



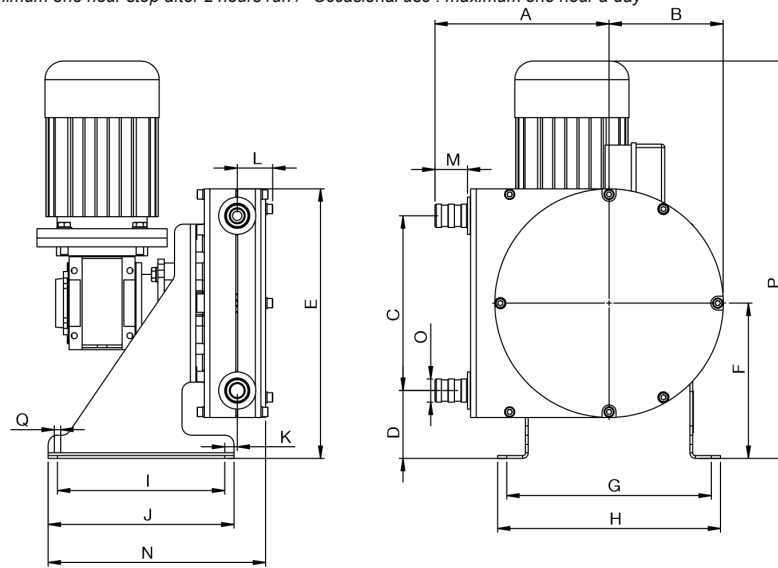
1 rpm = 0.2642 gph = 1.000 L/hr
 1 rev = 0.0044 gal = 0.0167 L

Assembly Weight: 26 lbs / 12 kg

*Intermittent use : minimum one hour stop after 2 hours run / *Occasional use : maximum one hour a day

DIMENSIONS

Inch (mm)



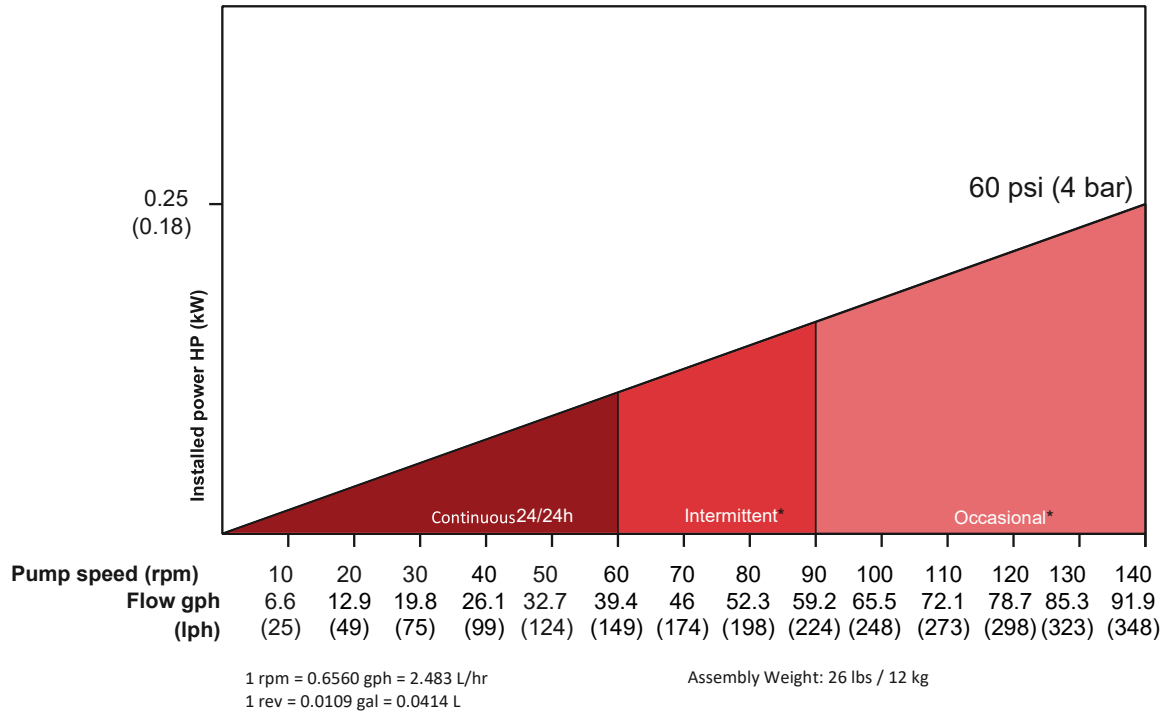
* 60 psi (4 bar)
 pressure limit is applicable when using a reinforced hose. The pressure limit when using tubing is 30psi (2 bar)

SIZE	A	B	C	D	E	F	G	H	I	J	K	L	M	N	ØO	P	ØQ
PEAK09N-F*	5.2 (133)	3.5 (89)	5.2 (132)	2.4 (62)	8.5 (217)	5.0 (128)	6.5 (165)	7.2 (184)	6.1 (156)	6.9 (175)	0.5 (12)	1.2 (31)	0.9 (24)	8.1 (207)	0.6 (16*)	14.7 (374)	0.26 (6.60)
PEAK09N-VM*	5.2 (133)	3.5 (89)	5.2 (132)	2.4 (62)	8.5 (217)	5.0 (128)	6.5 (165)	7.2 (184)	6.1 (156)	6.9 (175)	0.5 (12)	1.2 (31)	0.9 (24)	8.1 (207)	0.6 (16*)	19.3 (490)	0.26 (6.60)

*Hose barb / *F = Fixed Speed / *VM = Mechanical Speed Variator

PEAK13N

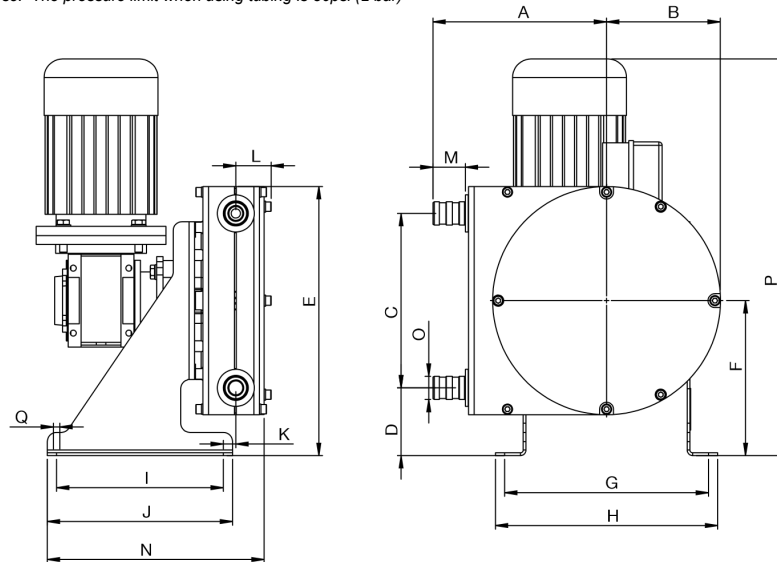
Data Sheet



*Intermittent use : minimum one hour stop after 2 hours run / *Occasional use : maximum one hour a day * 60 psi (4 bar) pressure limit is applicable when using a reinforced hose. The pressure limit when using tubing is 30psi (2 bar)

DIMENSIONS

Inch (mm)

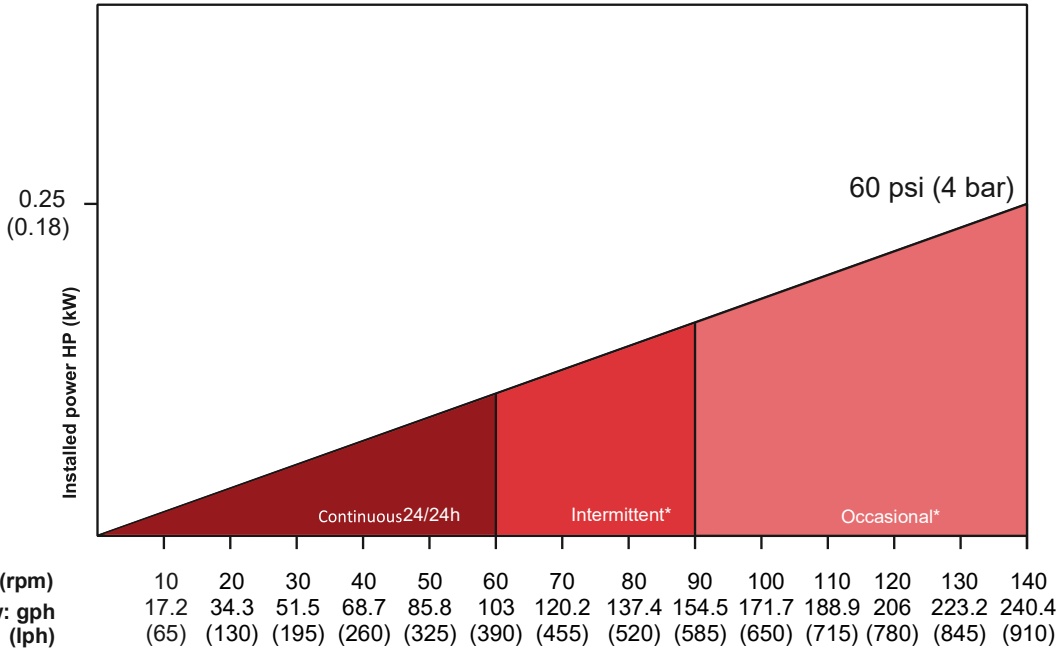


SIZE	A	B	C	D	E	F	G	H	I	J	K	L	M	N	ØO	P	ØQ
PEAK13N-F*	5.2 (133)	3.5 (89)	5.2 (132)	2.4 (62)	8.5 (217)	5.0 (128)	6.5 (165)	7.2 (184)	6.1 (156)	6.9 (175)	0.5 (12)	1.2 (31)	0.9 (24)	8.1 (207)	0.6 (16*)	14.7 (374)	0.26 (6.60)
PEAK13N-VM*	5.2 (133)	3.5 (89)	5.2 (132)	2.4 (62)	8.5 (217)	5.0 (128)	6.5 (165)	7.2 (184)	6.1 (156)	6.9 (175)	0.5 (12)	1.2 (31)	0.9 (24)	8.1 (207)	0.6 (16*)	19.3 (490)	0.26 (6.60)

*Hose barb / *F = Fixed Speed / *VM = Mechanical Speed Variator

PEAK17N

Data Sheet



1 rpm = 1.7171 gph = 6.500 L/hr
 1 rev = 0.0286 gal = 0.1083 L

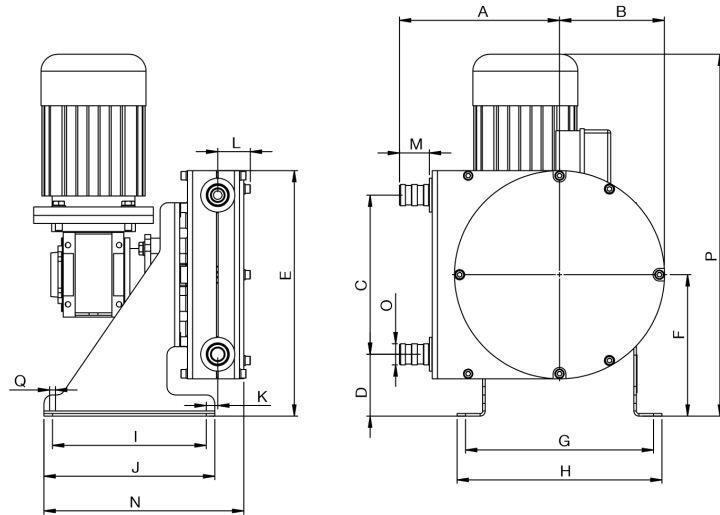
Assembly Weight: 33 lbs / 15 kg

*Intermittent use : minimum one hour stop after 2 hours run / *Occasional use : maximum one hour a day

* 60 psi (4 bar) pressure limit is applicable when using a reinforced hose. The pressure limit when using tubing is 30psi (2 bar)

DIMENSIONS

Inch (mm)

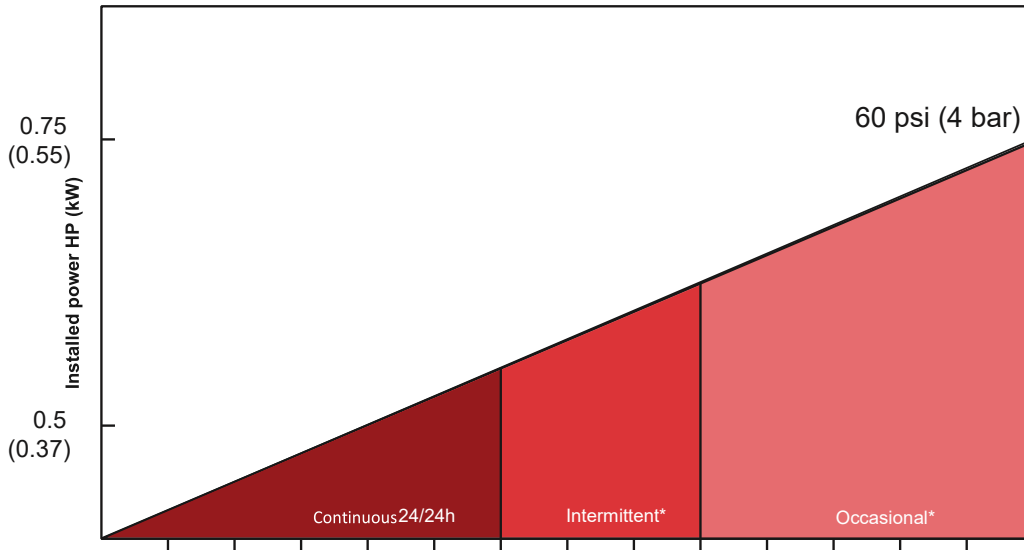


SIZE	A	B	C	D	E	F	G	H	I	J	K	L	M	N	ØO	P	ØQ
PEAK17N-F*	7.4 (187)	4.8 (123)	7.4 (188)	2.9 (73)	11.4 (290)	6.6 (167)	8.7 (220)	9.4 (240)	7.0 (180)	7.9 (200)	0.5 (14)	1.5 (38)	1.4 (35)	9.2 (234)	1.0 (25*)	16.5 (428)	0.3 (7)
PEAK17N-VM*	7.4 (187)	4.8 (123)	7.4 (188)	2.9 (73)	11.4 (290)	6.6 (167)	8.7 (220)	9.4 (240)	7.0 (180)	7.9 (200)	0.5 (14)	1.5 (38)	1.4 (35)	9.2 (234)	1.0 (25*)	21.4 (543)	0.3 (7)

*Hose barb / *F = Fixed Speed / *VM = Mechanical Speed Variator

PEAK25N

Data Sheet



Pump speed (rpm)	10	20	30	40	50	60	70	80	90	100	110	120	130	140
Flow: gpm	0.9	1.7	2.5	3.4	4.3	5.1	5.9	6.8	7.7	8.5	9.4	10.2	11	11.9
(m ³ /h)	(0.20)	(0.39)	(0.58)	(0.78)	(0.97)	(1.16)	(1.65)	(1.55)	(1.74)	(1.94)	(2.13)	(2.32)	(2.52)	(2.71)

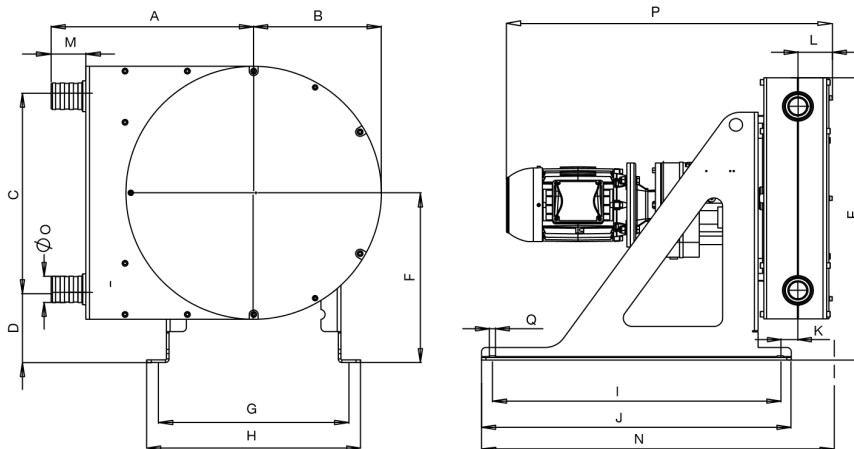
1 rpm = 0.0852 gpm = 0.0193 m³/hr
 1 rev = 0.0852 gal = 0.3224 L

Assembly Weight: 121 lbs / 55 kg

*Intermittent use : minimum one hour stop after 2 hours run / *Occasional use : maximum one hour a day
 *60 psi (4 bar) pressure limit is applicable when using a reinforced hose. The pressure limit when using tubing is 30psi (2 bar)

DIMENSIONS

Inch (mm)

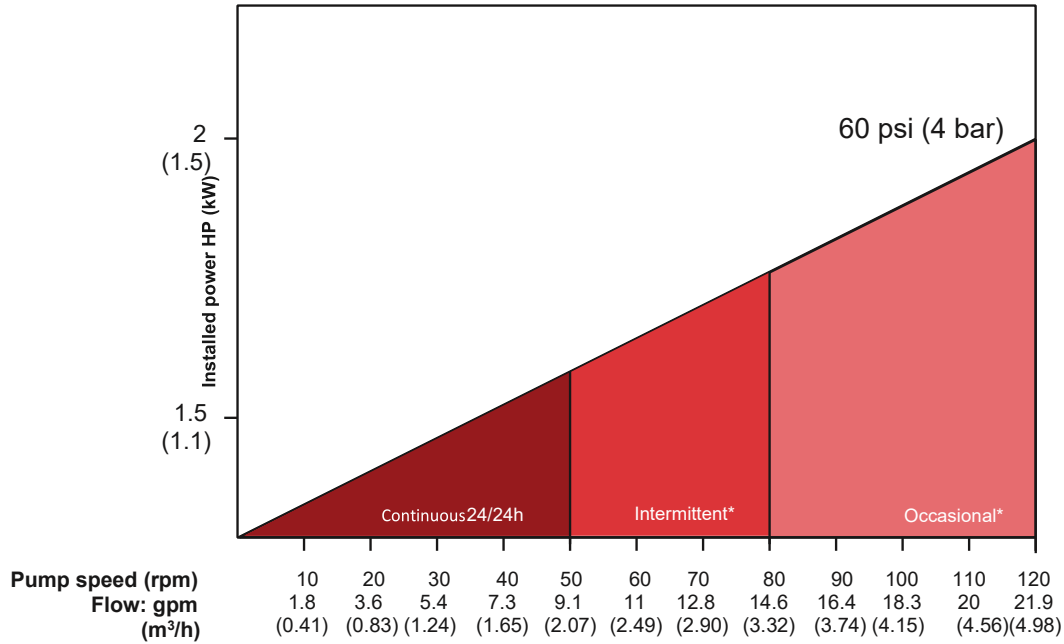


SIZE	A	B	C	D	E	F	G	H	I	J	K	L	M	N	ØO	P	ØQ
PEAK25N-F*	10.8 (275)	6.5 (165)	10.0 (256)	3.5 (90)	15.0 (383)	8.6 (218)	9.4 (240)	10.6 (270)	15.7 (400)	17.3 (440)	0.70 (18)	1.9 (49)	1.9 (48)	(482)	1.5 (38*)	23.81 (605)	0.4 (11)
PEAK25N-VM*	10.8 (275)	6.5 (165)	10.0 (256)	3.5 (90)	15.0 (383)	8.6 (218)	9.4 (240)	10.6 (270)	15.7 (400)	17.3 (440)	0.70 (18)	1.9 (49)	1.9 (48)	(482)	1.5 (38*)	27.4 (695)	0.4 (11)

*Hose barb / *F = Fixed Speed / *VM = Mechanical Speed Variator

PEAK30N

Data Sheet



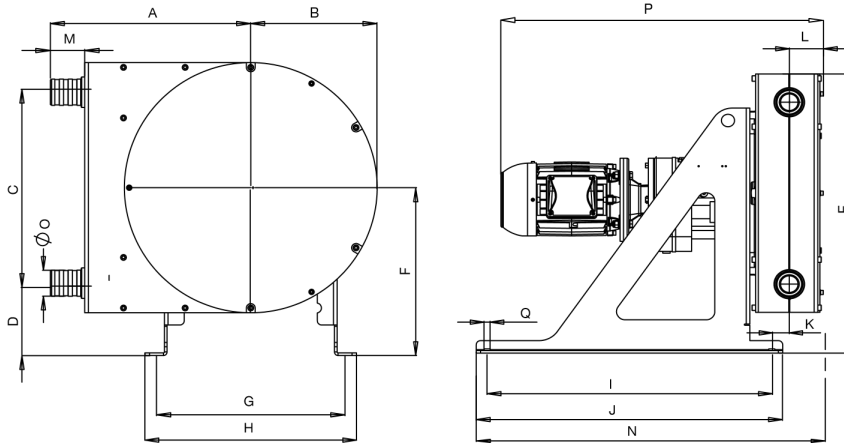
1 rpm = 0.1827 gpm = 0.0415 m³/hr
 1 rev = 0.1827 gal = 0.6917 L

Assembly Weight: 209 lbs / 95 kg

*Intermittent use : minimum one hour stop after 2 hours run / *Occasional use : maximum one hour a day
 * 60 psi (4 bar) pressure limit is applicable when using a reinforced hose. The pressure limit when using tubing is 30psi (2 bar)

DIMENSIONS

Inch (mm)

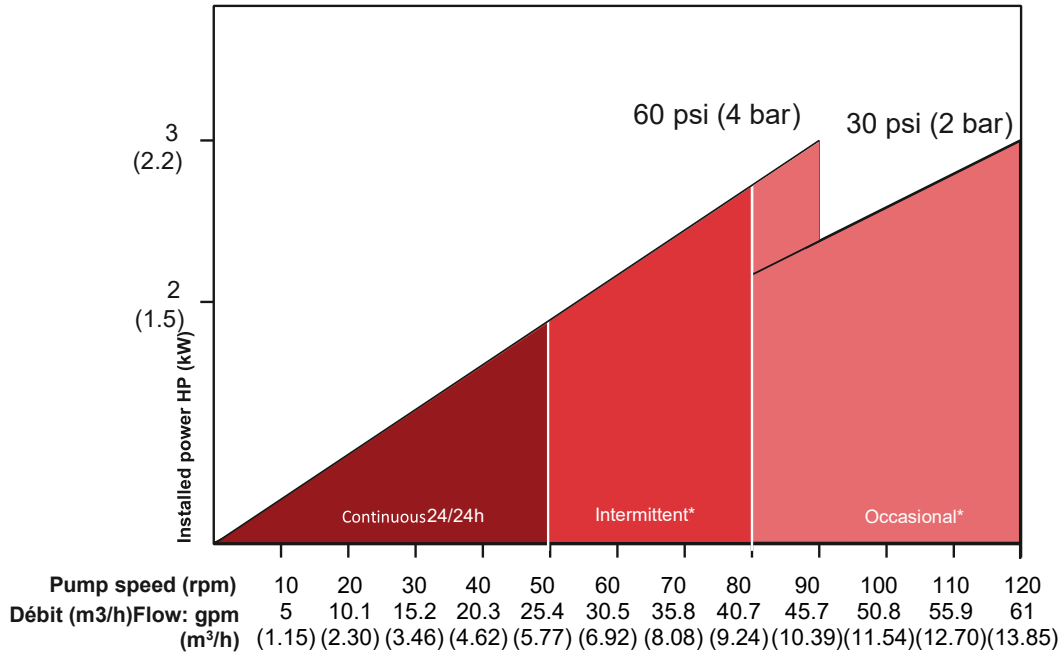


SIZE	A	B	C	D	E	F	G	H	I	J	K	L	M	N	ØO	P	ØQ
PEAK30N-F*	13.7 (348)	8.9 (226)	13.9 (354)	6.0 (153)	21.9 (557)	12.5 (319)	13.0 (330)	15.2 (386)	21.6 (550)	23.2 (590)	0.9 (23)	2.3 (58)	2.4 (60)	25.6 (651)	1.8 (45*)	27.0 (685)	0.5 (14)
PEAK30N-VM*	13.7 (348)	8.9 (226)	13.9 (354)	6.0 (153)	21.9 (557)	12.5 (319)	13.0 (330)	15.2 (386)	21.6 (550)	23.2 (590)	0.9 (23)	2.3 (58)	2.4 (60)	25.6 (651)	1.8 (45*)	31.3 (795)	0.5 (14)

*Hose barb / *F = Fixed Speed / *VM = Mechanical Speed Variator

PEAK45N

Data Sheet



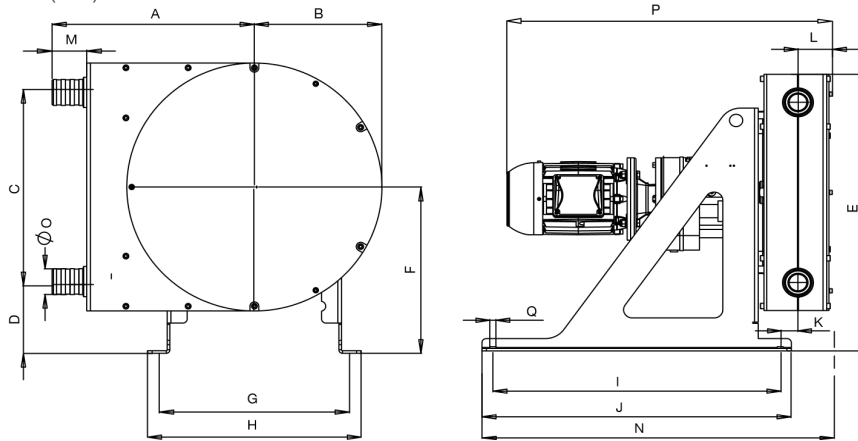
1 rpm = 0.5081 gpm = 0.1154 m³/hr
1 rev = 0.5081 gal = 1.9233 L

Assembly Weight: 342 lbs / 155 kg

*Intermittent use : minimum one hour stop after 2 hours run / *Occasional use : maximum one hour a day
*60 psi (4 bar) pressure limit is applicable when using a reinforced hose. The pressure limit when using tubing is 30psi (2 bar)

DIMENSIONS

Inch (mm)



SIZE	A	B	C	D	E	F	G	H	I	J	K	L	M	N	ØO	P	ØQ
PEAK45N-F*	17.9 (455)	11.3 (287)	17.2 (438)	6.5 (166)	26.4 (672)	15.1 (385)	16.5 (420)	18.9 (480)	26.6 (650)	27.5 (700)	1.6 (41)	3.0 (78)	3.0 (78)	31.2 (793)	2.4 (60*)	29.0 (736)	0.5 (14)
PEAK45N-VM*	17.9 (455)	11.3 (287)	17.2 (438)	6.5 (166)	26.4 (672)	15.1 (385)	16.5 (420)	18.9 (480)	26.6 (650)	27.5 (700)	1.6 (41)	3.0 (78)	3.0 (78)	31.0 (788)	2.4 (60*)	33.3 (847)	0.5 (14)

*Hose barb / *F = Fixed Speed / *VM = Mechanical Speed Variator