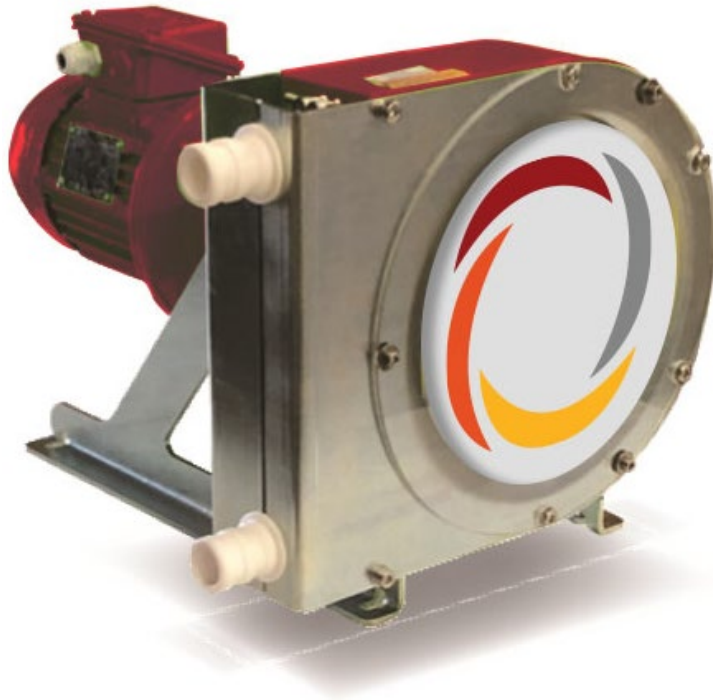


PEAK45N

OPEN FLOW PUMPS



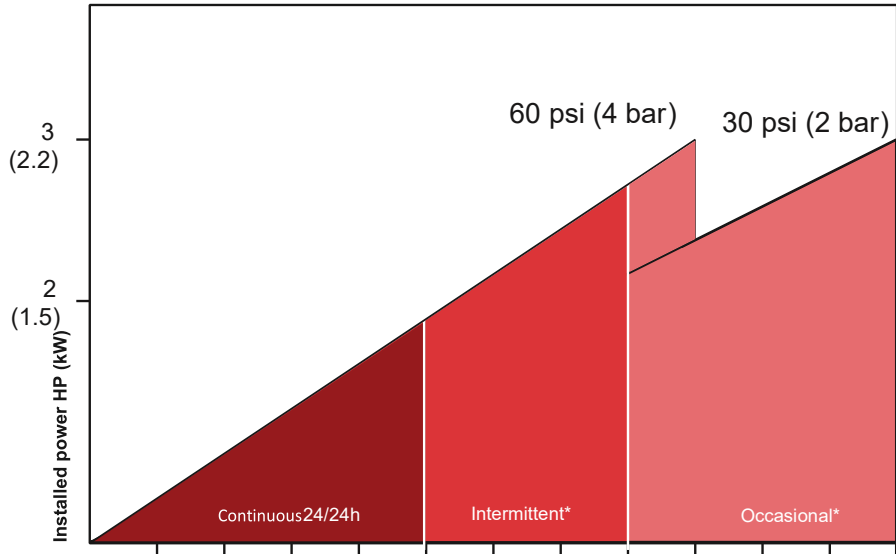
DAEPUMPS.COM

info@daepumps.com

(760) 821-8112

PEAK45N

Data Sheet



Pump speed (rpm)	10	20	30	40	50	60	70	80	90	100	110	120
Débit (m3/h) Flow: gpm (m³/h)	5 (1.15)	10.1 (2.30)	15.2 (3.46)	20.3 (4.62)	25.4 (5.77)	30.5 (6.92)	35.8 (8.08)	40.7 (9.24)	45.7 (10.39)	50.8 (11.54)	55.9 (12.70)	61 (13.85)

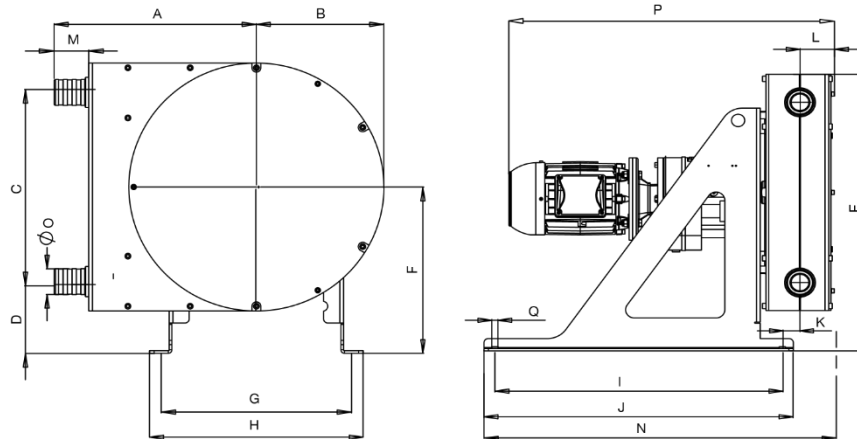
1 rpm = 0.5081 gpm = 0.1154 m³/hr
1 rev = 0.5081 gal = 1.9233 L

Assembly Weight: 342 lbs / 155 kg

*Intermittent use : minimum one hour stop after 2 hours run / *Occasional use : maximum one hour a day
* 60 psi (4 bar) pressure limit is applicable when using a reinforced hose. The pressure limit when using tubing is 30psi (2 bar)

DIMENSIONS

Inch (mm)



SIZE	A	B	C	D	E	F	G	H	I	J	K	L	M	N	ØO	P	ØQ
PEAK45N-F*	17.9 (455)	11.3 (287)	17.2 (438)	6.5 (166)	26.4 (672)	15.1 (385)	16.5 (420)	18.9 (480)	26.6 (650)	27.5 (700)	1.6 (41)	3.0 (78)	3.0 (78)	31.2 (793)	2.4 (60*)	29.0 (736)	0.5 (14)
PEAK45N-VM*	17.9 (455)	11.3 (287)	17.2 (438)	6.5 (166)	26.4 (672)	15.1 (385)	16.5 (420)	18.9 (480)	26.6 (650)	27.5 (700)	1.6 (41)	3.0 (78)	3.0 (78)	31.0 (788)	2.4 (60*)	33.3 (847)	0.5 (14)

*Hose barb / *F = Fixed Speed / *VM = Mechanical Speed Variator