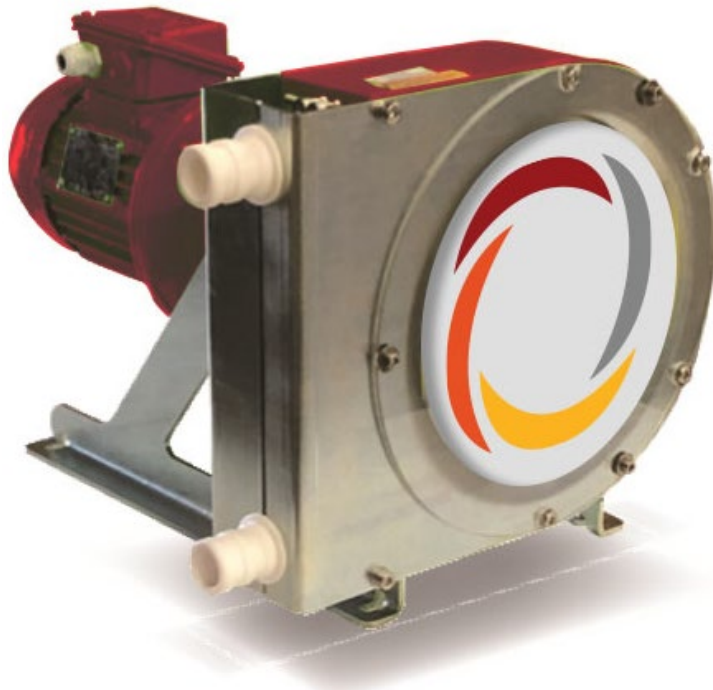


PEAK30N

OPEN FLOW PUMPS



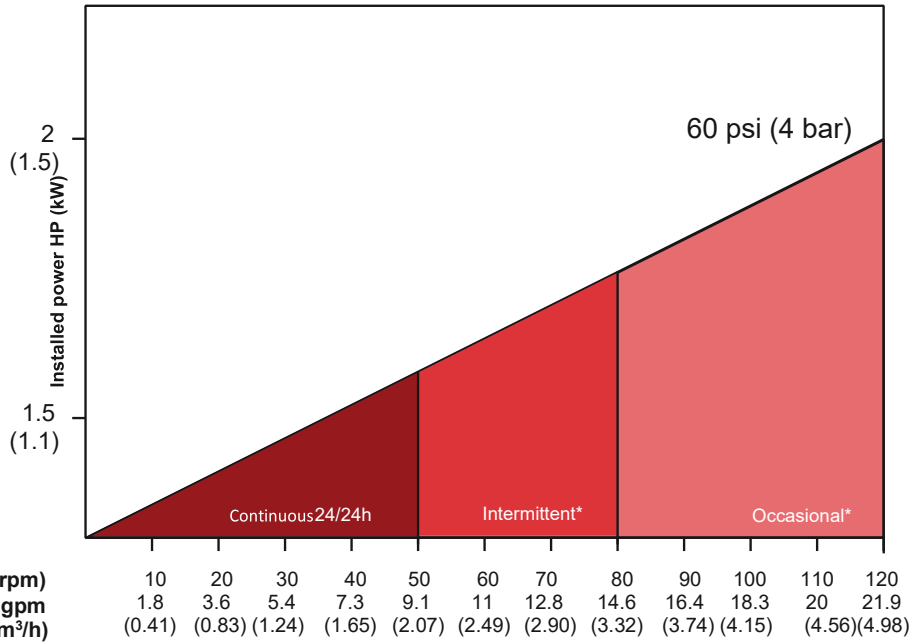
DAEPUMPS.COM

info@daepumps.com

(760) 821-8112

PEAK30N

Data Sheet



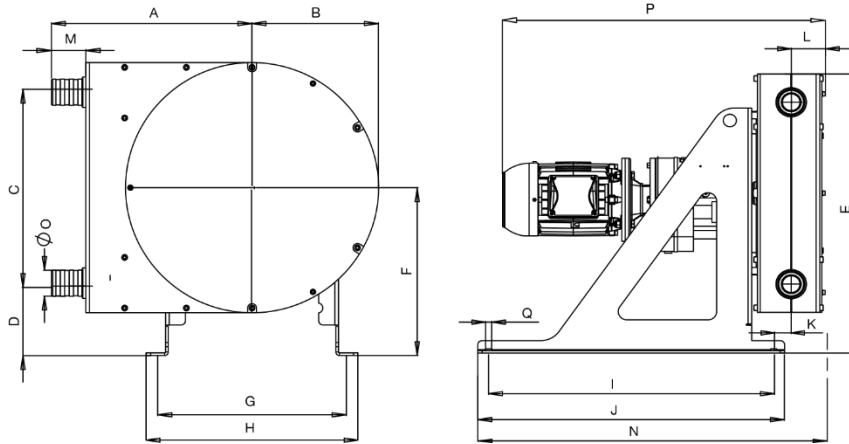
1 rpm = 0.1827 gpm = 0.0415 m³/hr
 1 rev = 0.1827 gal = 0.6917 L

Assembly Weight: 209 lbs / 95 kg

*Intermittent use : minimum one hour stop after 2 hours run / *Occasional use : maximum one hour a day
 * 60 psi (4 bar) pressure limit is applicable when using a reinforced hose. The pressure limit when using tubing is 30psi (2 bar)

DIMENSIONS

Inch (mm)



*Hose barb / *F = Fixed Speed / *VM = Mechanical Speed Variator

SIZE	A	B	C	D	E	F	G	H	I	J	K	L	M	N	ØQ	P	ØQ
PEAK30N-F*	13.7 (348)	8.9 (226)	13.9 (354)	6.0 (153)	21.9 (557)	12.5 (319)	13.0 (330)	15.2 (386)	21.6 (550)	23.2 (590)	0.9 (23)	2.3 (58)	2.4 (60)	25.6 (651)	1.8 (45*)	27.0 (685)	0.5 (14)
PEAK30N-VM*	13.7 (348)	8.9 (226)	13.9 (354)	6.0 (153)	21.9 (557)	12.5 (319)	13.0 (330)	15.2 (386)	21.6 (550)	23.2 (590)	0.9 (23)	2.3 (58)	2.4 (60)	25.6 (651)	1.8 (45*)	31.3 (795)	0.5 (14)