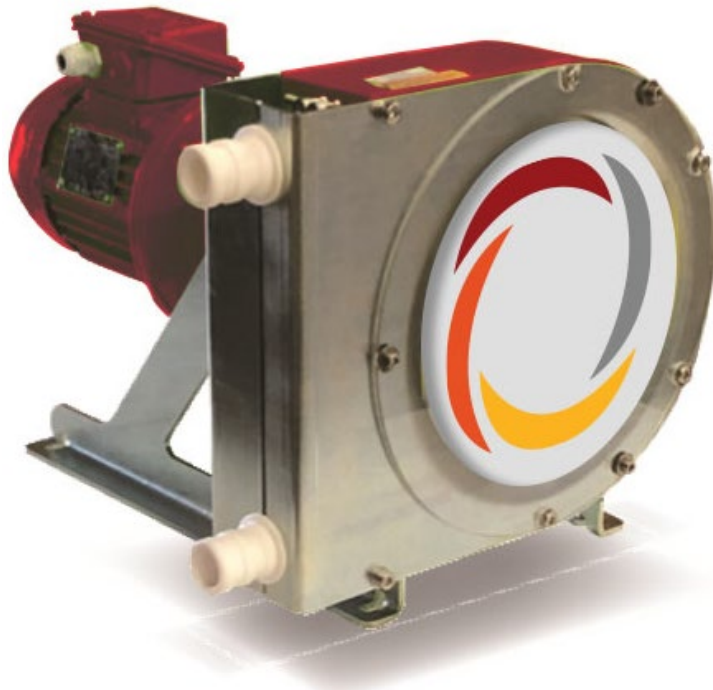


# PEAK25N

## OPEN FLOW PUMPS



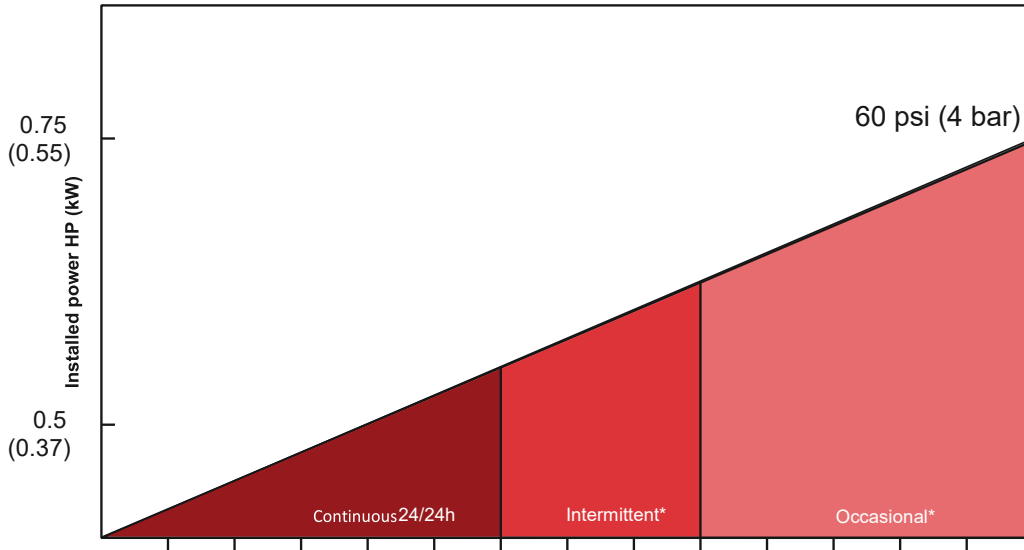
**DAEPUMPS.COM**

info@daepumps.com

(760) 821-8112

# PEAK25N

## Data Sheet



Pump speed (rpm)	10	20	30	40	50	60	70	80	90	100	110	120	130	140
Flow: <b>gpm</b>	0.9	1.7	2.5	3.4	4.3	5.1	5.9	6.8	7.7	8.5	9.4	10.2	11	11.9
<b>(m³/h)</b>	(0.20)	(0.39)	(0.58)	(0.78)	(0.97)	(1.16)	(1.65)	(1.55)	(1.74)	(1.94)	(2.13)	(2.32)	(2.52)	(2.71)

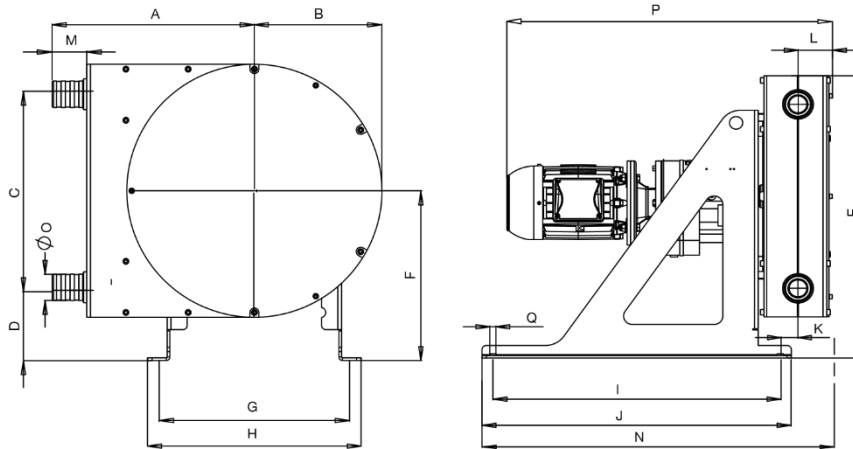
1 rpm = 0.0852 gpm = 0.0193 m³/hr  
 1 rev = 0.0852 gal = 0.3224 L

Assembly Weight: 121 lbs / 55 kg

\*Intermittent use : minimum one hour stop after 2 hours run / \*Occasional use : maximum one hour a day  
 \* 60 psi (4 bar) pressure limit is applicable when using a reinforced hose. The pressure limit when using tubing is 30psi (2 bar)

## DIMENSIONS

Inch (mm)



SIZE	A	B	C	D	E	F	G	H	I	J	K	L	M	N	ØO	P	ØQ
PEAK25N-F*	10.8 (275)	6.5 (165)	10.0 (256)	3.5 (90)	15.0 (383)	8.6 (218)	9.4 (240)	10.6 (270)	15.7 (400)	17.3 (440)	0.70 (18)	1.9 (49)	1.9 (48)	(482)	1.5 (38*)	23.81 (605)	0.4 (11)
PEAK25N-VM*	10.8 (275)	6.5 (165)	10.0 (256)	3.5 (90)	15.0 (383)	8.6 (218)	9.4 (240)	10.6 (270)	15.7 (400)	17.3 (440)	0.70 (18)	1.9 (49)	1.9 (48)	(482)	1.5 (38*)	27.4 (695)	0.4 (11)

\*Hose barb / \*F = Fixed Speed / \*VM = Mechanical Speed Variator