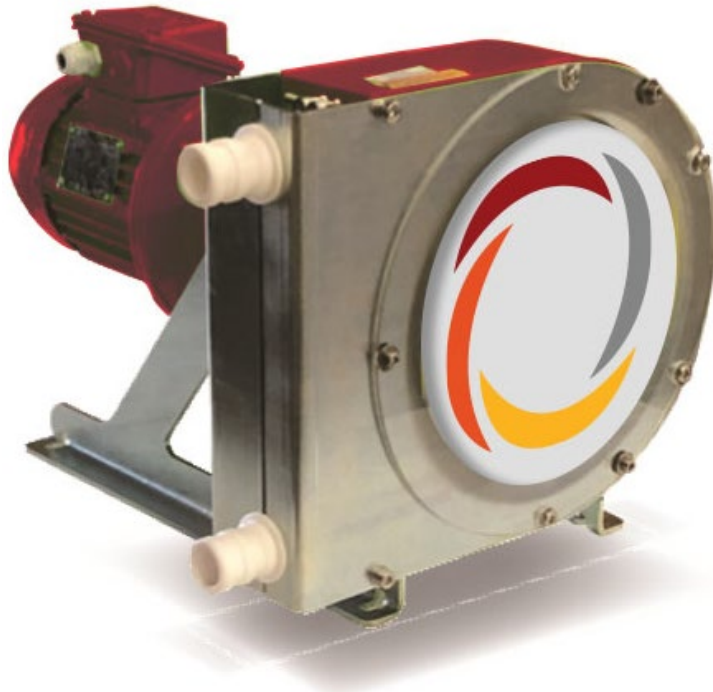


PEAK17N

OPEN FLOW PUMPS



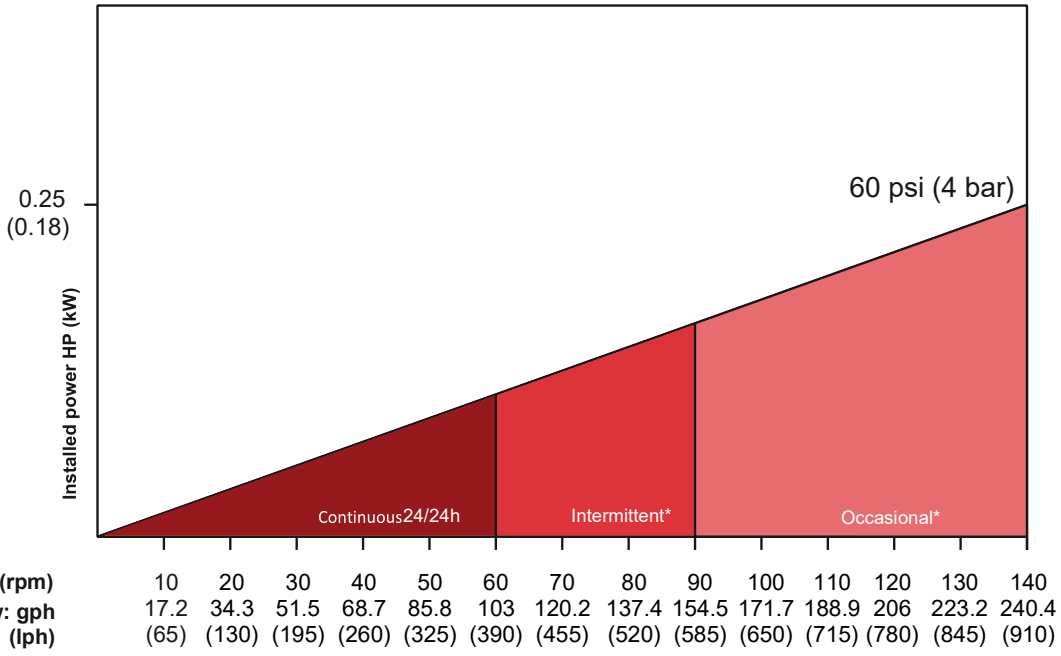
DAEPUMPS.COM

info@daepumps.com

(760) 821-8112

PEAK17N

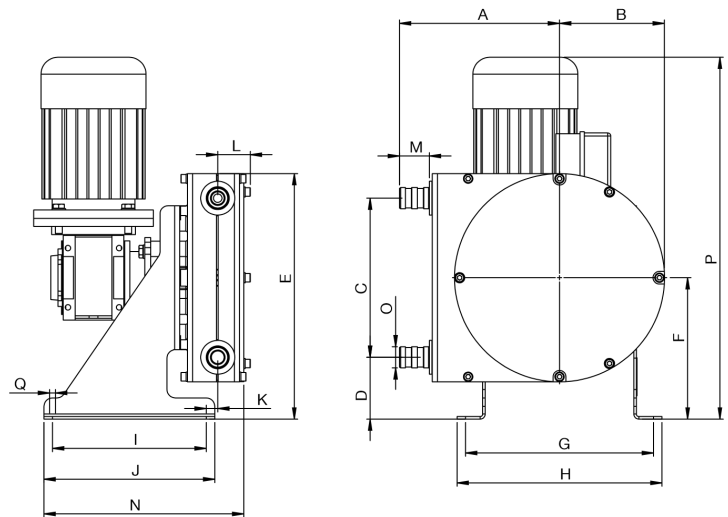
Data Sheet



1 rpm = 1.7171 gph = 6.500 L/hr
 1 rev = 0.0286 gal = 0.1083 L
 Assembly Weight: 33 lbs / 15 kg
 *Intermittent use : minimum one hour stop after 2 hours run / *Occasional use : maximum one hour a day
 * 60 psi (4 bar) pressure limit is applicable when using a reinforced hose. The pressure limit when using tubing is 30psi (2 bar)

DIMENSIONS

Inch (mm)



SIZE	A	B	C	D	E	F	G	H	I	J	K	L	M	N	ØO	P	ØQ
PEAK17N-F*	7.4 (187)	4.8 (123)	7.4 (188)	2.9 (73)	11.4 (290)	6.6 (167)	8.7 (220)	9.4 (240)	7.0 (180)	7.9 (200)	0.5 (14)	1.5 (38)	1.4 (35)	9.2 (234)	1.0 (25*)	16.5 (428)	0.3 (7)
PEAK17N-VM*	7.4 (187)	4.8 (123)	7.4 (188)	2.9 (73)	11.4 (290)	6.6 (167)	8.7 (220)	9.4 (240)	7.0 (180)	7.9 (200)	0.5 (14)	1.5 (38)	1.4 (35)	9.2 (234)	1.0 (25*)	21.4 (543)	0.3 (7)

*Hose barb / *F = Fixed Speed / *VM = Mechanical Speed Variator