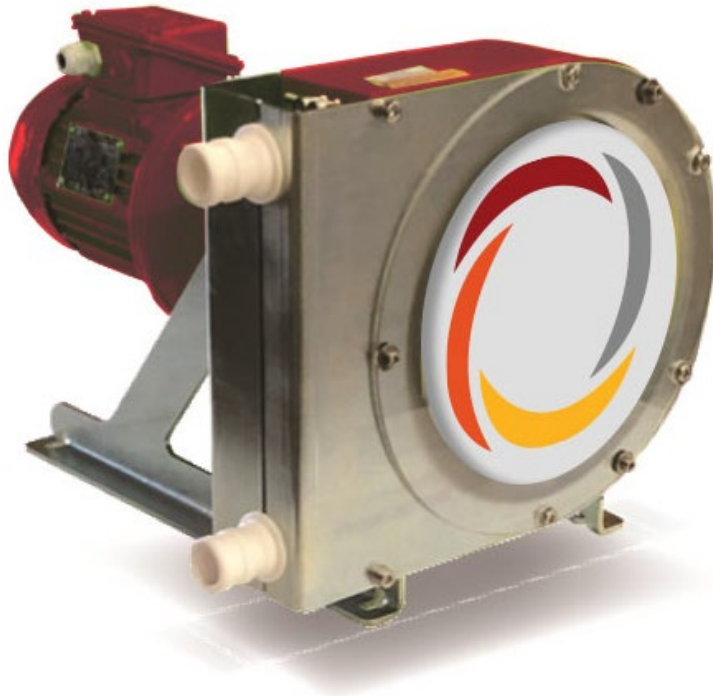


PEAK09N

OPEN FLOW PUMPS



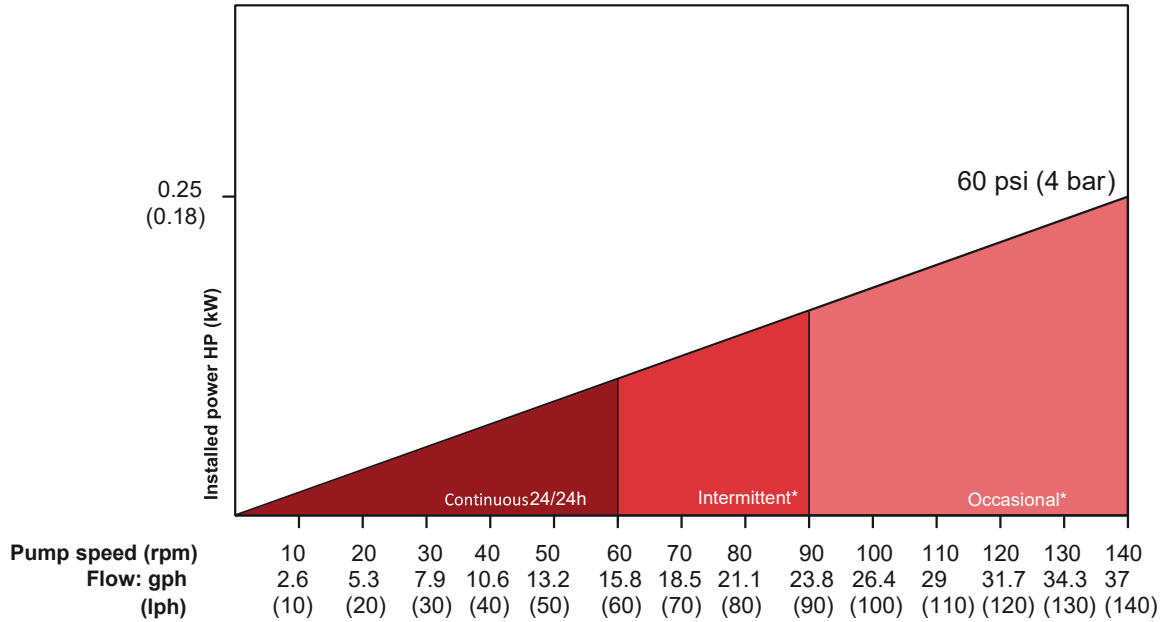
DAEPUMPS.COM

info@daepumps.com

(760) 821-8112

PEAK09N

Data Sheet



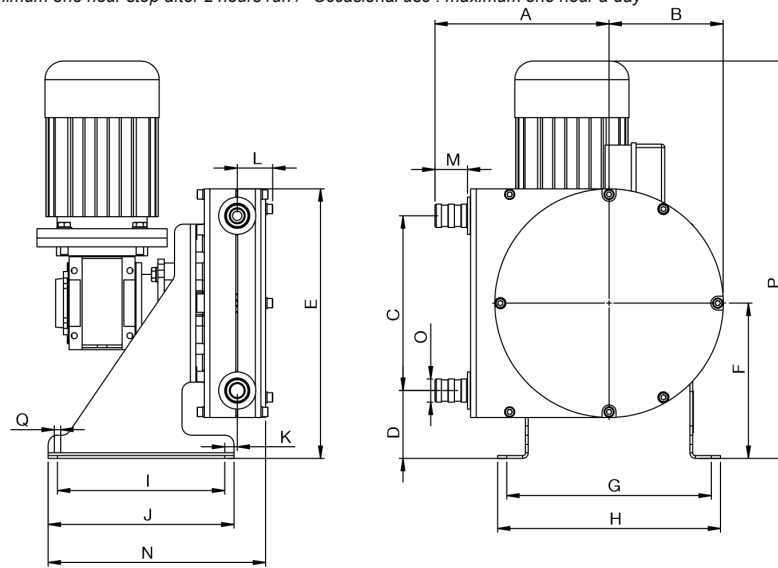
1 rpm = 0.2642 gph = 1.000 L/hr
 1 rev = 0.0044 gal = 0.0167 L

Assembly Weight: 26 lbs / 12 kg

*Intermittent use : minimum one hour stop after 2 hours run / *Occasional use : maximum one hour a day

DIMENSIONS

Inch (mm)



* 60 psi (4 bar)
 pressure limit is applicable when using a reinforced hose. The pressure limit when using tubing is 30psi (2 bar)

SIZE	A	B	C	D	E	F	G	H	I	J	K	L	M	N	ØO	P	ØQ
PEAK09N-F*	5.2 (133)	3.5 (89)	5.2 (132)	2.4 (62)	8.5 (217)	5.0 (128)	6.5 (165)	7.2 (184)	6.1 (156)	6.9 (175)	0.5 (12)	1.2 (31)	0.9 (24)	8.1 (207)	0.6 (16*)	14.7 (374)	0.26 (6.60)
PEAK09N-VM*	5.2 (133)	3.5 (89)	5.2 (132)	2.4 (62)	8.5 (217)	5.0 (128)	6.5 (165)	7.2 (184)	6.1 (156)	6.9 (175)	0.5 (12)	1.2 (31)	0.9 (24)	8.1 (207)	0.6 (16*)	19.3 (490)	0.26 (6.60)

*Hose barb / *F = Fixed Speed / *VM = Mechanical Speed Variator