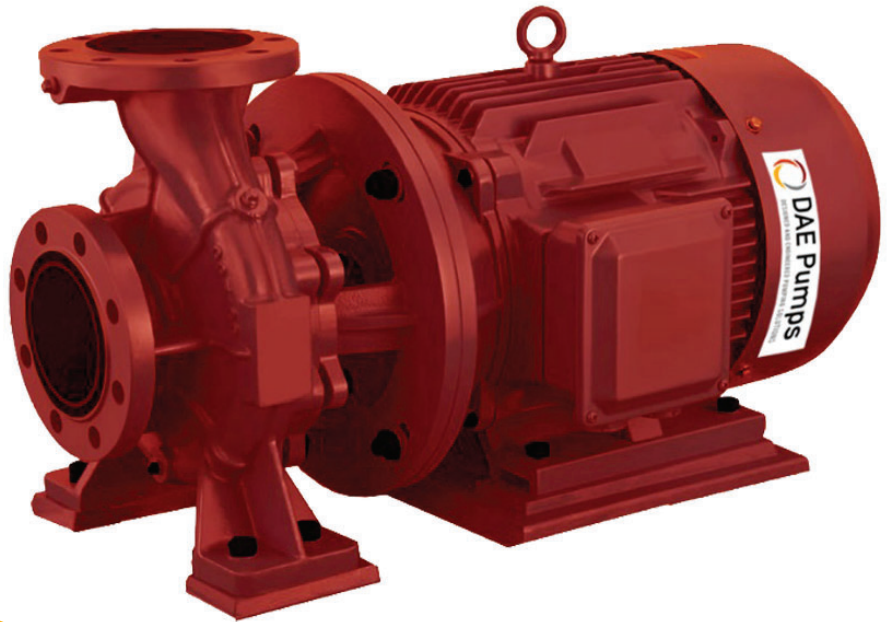


# H430 Flooded Suction Pump

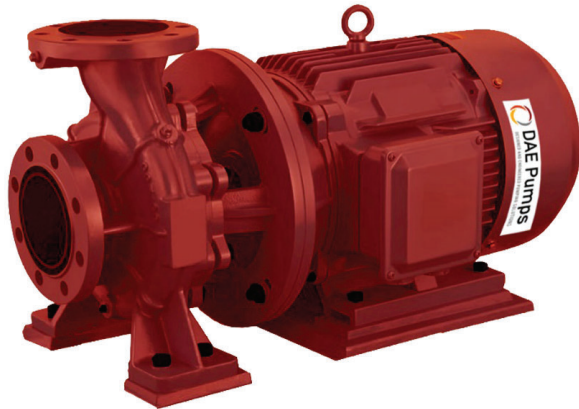
Metal Liner and  
Impeller



[DAEPUMPS.COM](http://DAEPUMPS.COM)

[info@daepumps.com](mailto:info@daepumps.com)

(760) 821-8112



## VERSATILE HEAVY-DUTY SOLUTION

DAE Pumps H430 flooded suction pumps are heavy duty horizontal slurry pumps designed to handle the transfer of abrasive and high-density slurries in mining and heavy industry.

H430 pumps feature a rugged cast iron construction with replaceable wear liners available in 27% chrome white iron, rubber or urethane to suit a wide range of applications, slurry types and consistencies.

The H430 pumps are 3-inch discharge and feature high efficiency performance capable of flow rates up to 900 GPM and a head up to 170 ft.

They are designed to be interchangeable with the most common slurry pump footprints used by the mining industry.

H430 pumps are manufactured using the highest quality materials to ensure reliability and extended service life in heavy duty applications. H430 pumps are manufactured with a rugged cast iron outer casing which features reinforcing ribs for excellent high-pressure strength and safety.

## WEAR LINERS

A range of replaceable wear liners are available in 27% chrome white iron, rubber or urethane to suit the requirements of specific applications and slurry types. Wear liners are easily replaced when required by simply removing the front cover plate bolts and sliding off the front cover. This allows minimal downtime and simple servicing for maintenance staff.

# H430 Flooded Suction Pump

**Heavy duty, horizontal slurry pumps.** High efficiency transfer of abrasive and high-density slurries with extended wear life and reliable service intervals

## FEATURES

**4" Intake / 3" Discharge**

**900 GPM**

**Over 170 Ft. Head**

**27% Chrome White Iron**

## IMPELLERS

The impeller features pump-out vanes on the rear face to prevent recirculation. Impellers are available in 27% chrome white iron or rubber to suit the requirements of the pumped product and are easily accessible by simply removing the front cover plate bolts and sliding off the front cover.

## EXTERNAL IMPELLER ADJUSTMENT

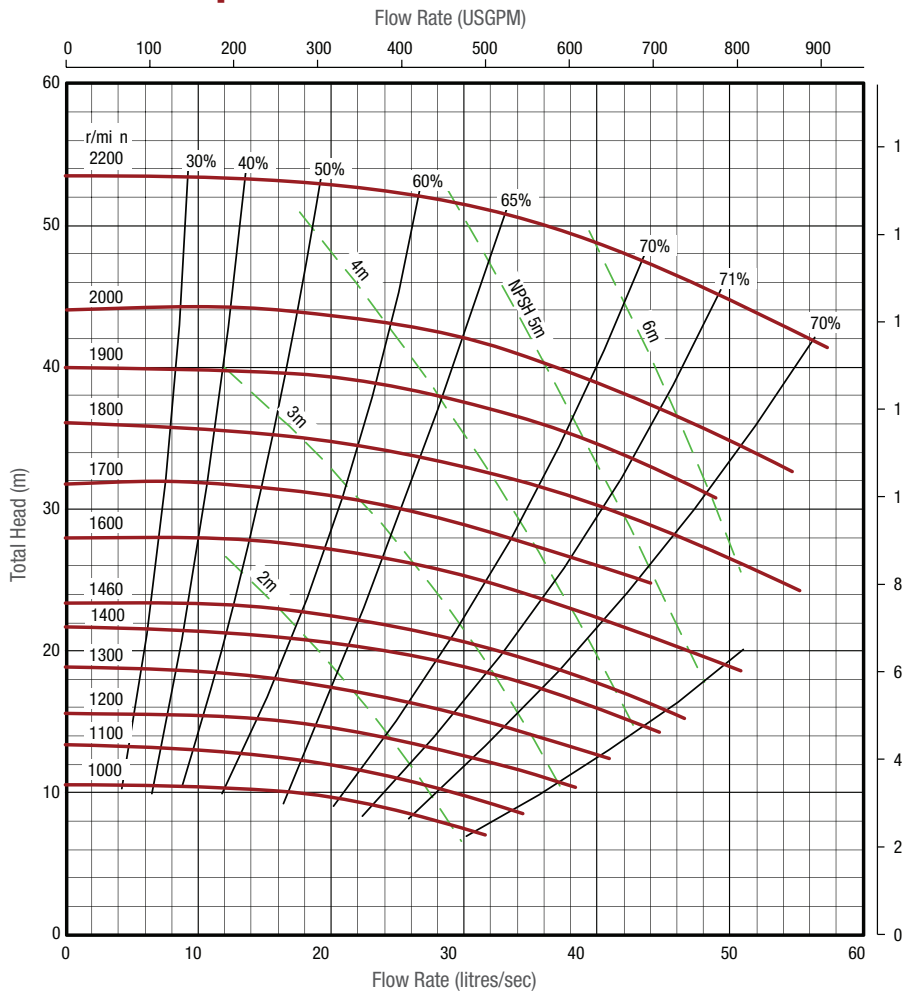
An external impeller adjustment bolt is located under the bearing assembly and is easily accessible. This allows for changes to be made to the impeller clearance to maximize efficiency and service life without removing the front cover plate or disconnecting pipe-work or the bearing assembly. The system allows quick and simple adjustments to be made to compensate for wear and changes in operating conditions and duty points.

# H430 Flooded Suction Pump Specifications

| Inlet/Outlet | Bearing Frame | Max Power                    | Max Particle Size | Impeller | No. of Vanes | Impeller Material        | Impeller / Vane Dia. | Wear Liner Material      |
|--------------|---------------|------------------------------|-------------------|----------|--------------|--------------------------|----------------------|--------------------------|
| 4" / 3"      | C<br>D        | 40HP / 30 kW<br>80HP / 60 kW | 1.1" / 28 mm      | D3147    | 5            | 27% Chrome<br>White Iron | 10" / 245 mm         | 27% Chrome<br>White Iron |

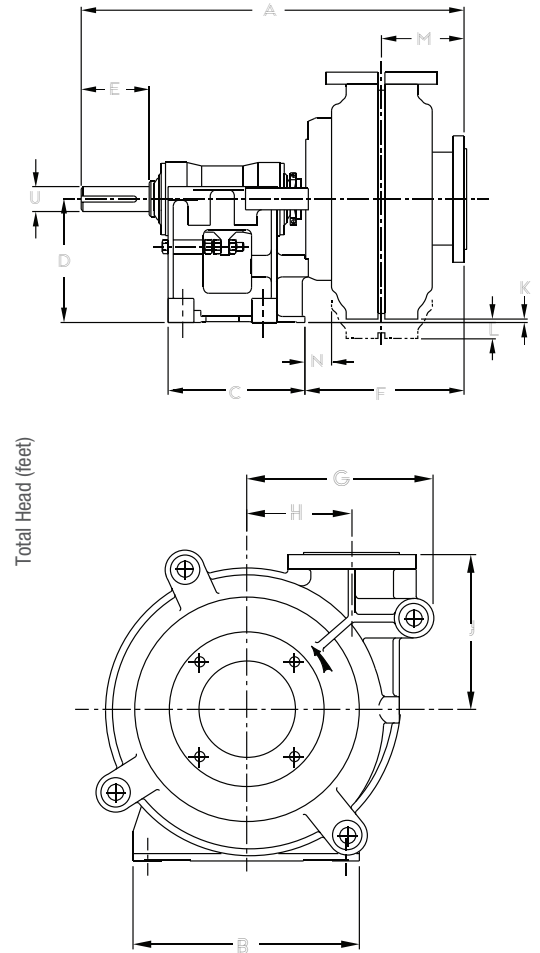
| Dimensions (mm) |     |     |     |     |       |     |     |     |     |     |     |   |     |    | Weight |                  |
|-----------------|-----|-----|-----|-----|-------|-----|-----|-----|-----|-----|-----|---|-----|----|--------|------------------|
| A               | B   | C   | D   | Key | E     | F   | G   | H   | J   | K   | L   | M | N   | U  | Metal  |                  |
| C               | 843 | 406 | 311 | 254 | 12x8  | 121 | 353 | 292 | 149 | 262 | 24  | - | 187 | 54 | 42     | 249 kg (549 lbs) |
| D               | 943 | 492 | 364 | 330 | 18x11 | 164 | 353 | 292 | 149 | 262 | 100 | - | 187 | 52 | 65     | 318 kg (702 lbs) |

## Pump Curve



Performance curve is for clean, cold water only. Contact us to discuss pump selections for specific applications.

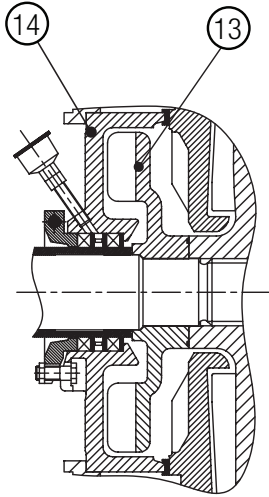
## Dimensions



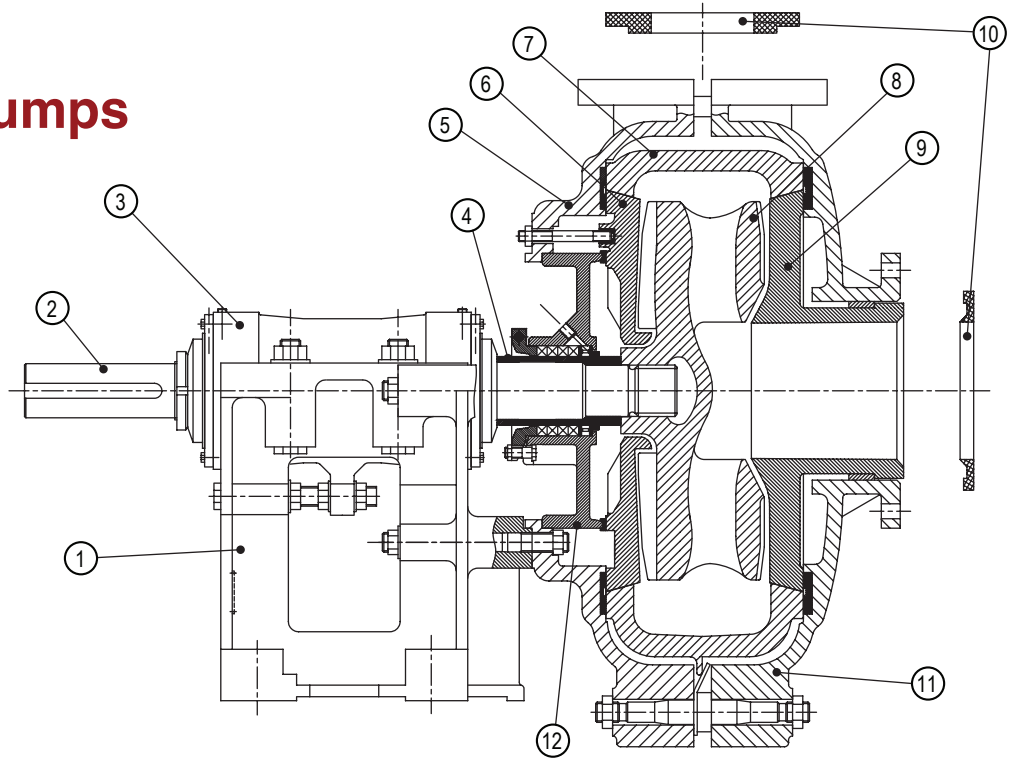


# Materials

## Metal Lined Pumps



**METAL EXPELLER**



| No. | Part Description  | Material Specification   |
|-----|-------------------|--------------------------|
| 1   | Base              | Cast Iron                |
| 2   | Shaft             | 4140 High Tensile Steel* |
| 3   | Bearing Assembly  | Timkin (Cast Iron Body)  |
| 4   | Shaft Sleeve      | 420 Stainless Steel      |
| 5   | Pump Casing       | Cast Iron                |
| 6   | Frame Plate Liner | 27% Chrome White Iron    |
| 7   | Volute Liner      | 27% Chrome White Iron    |
| 8   | Impeller          | 27% Chrome White Iron    |
| 9   | Throat Bush       | 27% Chrome White Iron    |
| 10  | Joint Rings       | Rubber                   |
| 11  | Cover Plate       | Cast Iron                |
| 12  | Stuffing Box      | Cast Iron                |
| 13  | Expeller          | 27% Chrome White Iron    |
| 14  | Expeller Ring     | Natural Rubber           |
|     | Bolts             | Zinc Plated Steel        |
|     | O-rings           | Nitrile Rubber           |
|     | Seals             | Rubber                   |

\* Other shaft material options are available.

