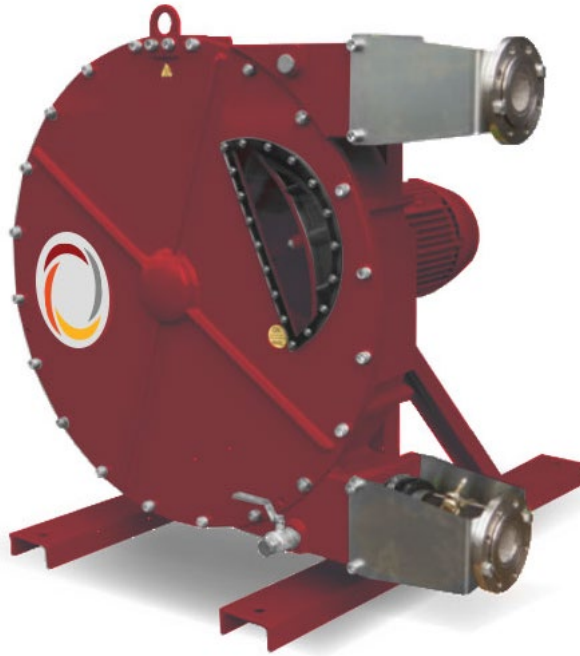


CREST20

Open Flow Pumps / 3 Lobes



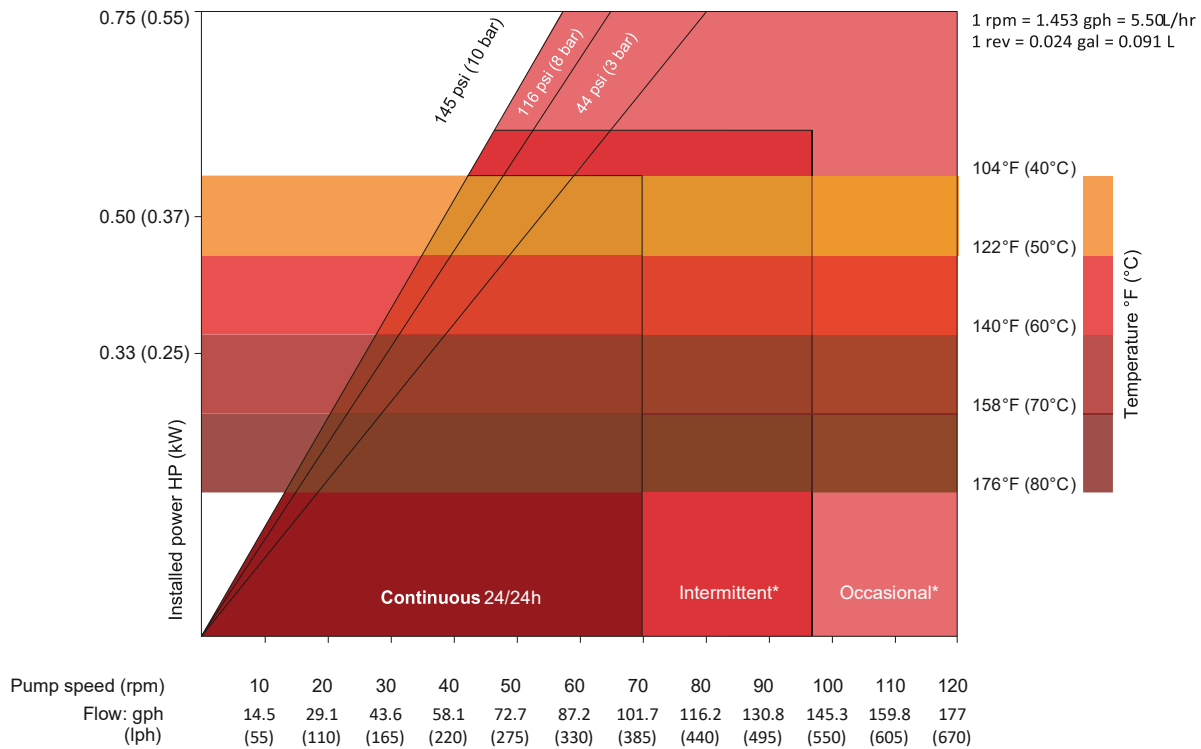
DAEPUMPS.COM

info@daepumps.com

(760) 821-8112

CREST20

3 Lobes / Data Sheet

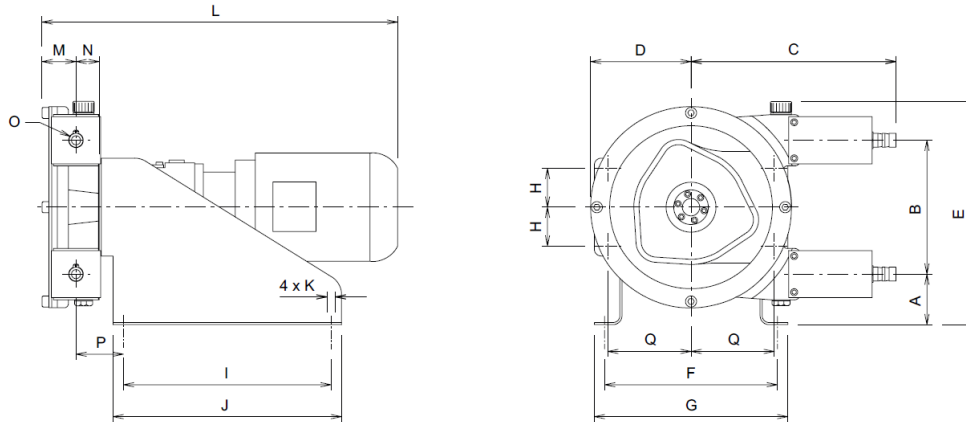


Lubricant Required: 0.14 gal / 0.55 L

Assembly Weight: 77 lbs / 35 kg

*Intermittent use : minimum one hour stop after 2 hours run / *Occasional use : maximum one hour a day

DIMENSIONS Inch (mm)



TYPE	A	B	C	D	E	F	G	H	I	J	K	L	M	N	ØO	P	Q
CREST20	2.9 (73)	7.6 (193)	11.7 (297)	5.7 (145)	12.8 (325)	9.8 (249)	11.0 (280)	2.0 (52)	11.8 (300)	13.0 (330)	4xØ0.5 (4xØ13)	-	1.8 (46)	1.4 (35.5)	0.7 (20 *)	2.78 (70.5)	4.9 (124.8)