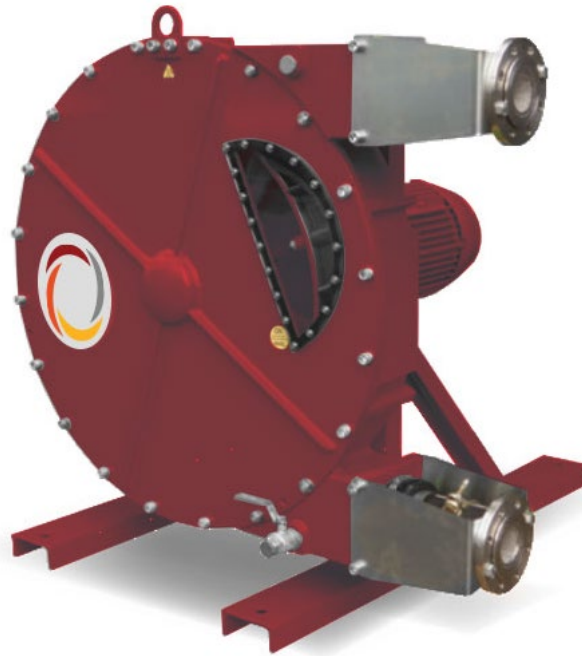


CREST10

Open Flow Pumps



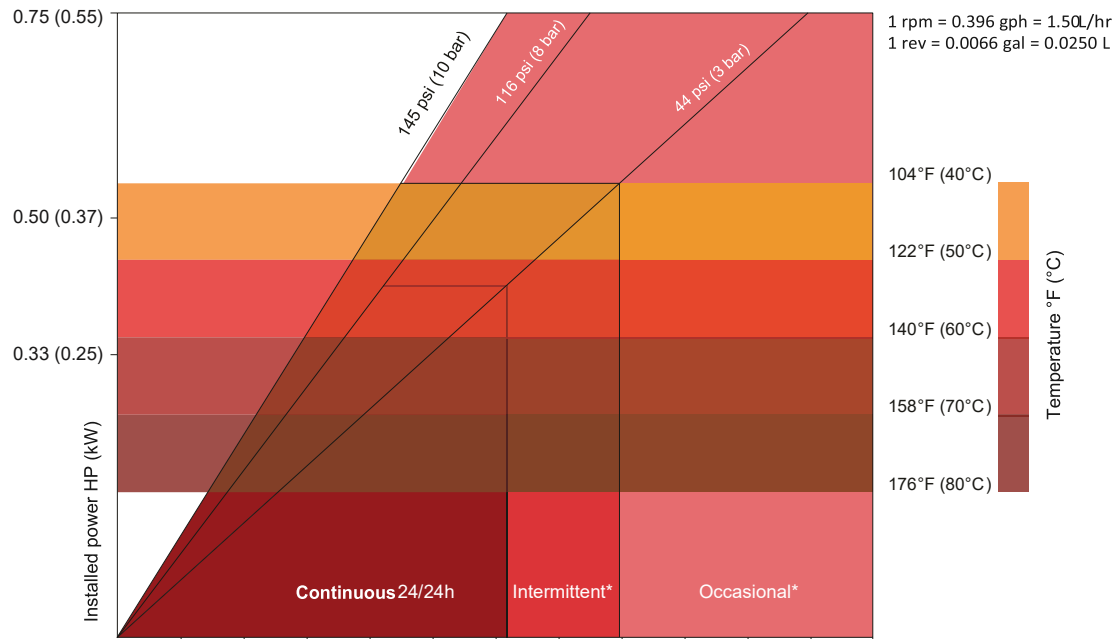
DAEPUMPS.COM

info@daepumps.com

(760) 821-8112

CREST10

Data Sheet

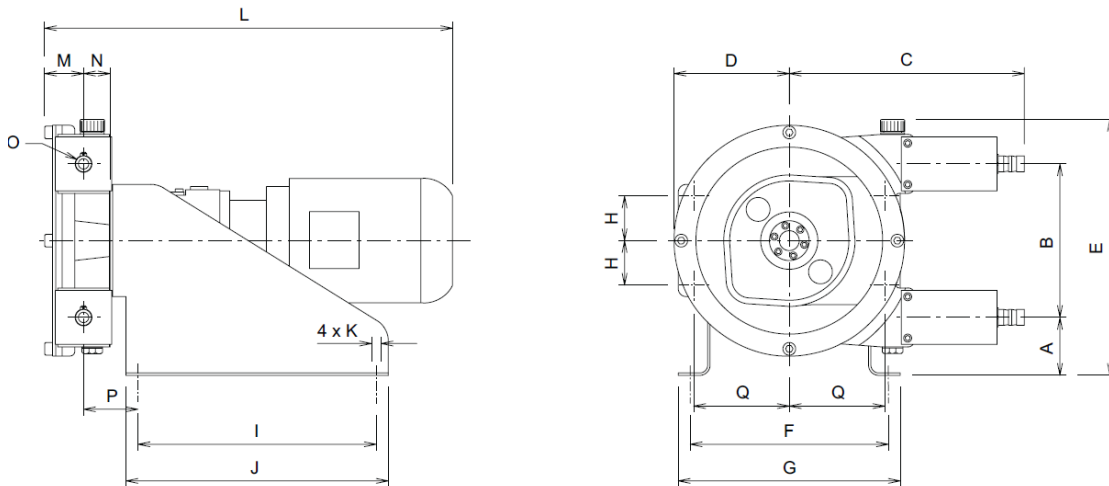


| | | | | | | | | | | | | |
|------------------|------|------|------|------|------|------|-------|-------|-------|-------|-------|-------|
| Pump speed (Rpm) | 10 | 20 | 30 | 40 | 50 | 60 | 70 | 80 | 90 | 100 | 110 | 120 |
| Flow: gph | 4 | 7.9 | 11.9 | 15.9 | 19.8 | 23.8 | 27.7 | 31.7 | 35.7 | 39.6 | 43.6 | 47.6 |
| (lph) | (15) | (30) | (45) | (60) | (75) | (90) | (105) | (120) | (135) | (150) | (165) | (180) |

Lubricant Required: 0.05 gal / 0.2 L
Assembly Weight: 55 lbs / 25 kg

*Intermittent use : minimum one hour stop after 2 hours run / *Occasional use : maximum one hour a day

DIMENSIONS Inch (mm)



| TYPE | A | B | C | D | E | F | G | H | I | J | K | L | M | N | ØO | P | Q |
|---------|--------------|--------------|--------------|-------------|---------------|--------------|--------------|---------------|---------------|---------------|-------------------|---|---------------|---------------|---------------|-------------|---------------|
| CREST10 | 4.0 (104) | 4.5 (115) | 8.9 (226) | 3.7 (95) | 10.7 (271) | 8.7 (220) | 9.4 (240) | 1.3 (33.5) | 10.2 (260) | 11.0 (280) | 4xø0.35 (4xø9) | - | 1.7 (42.5) | 1.4 (36.5) | 0.6 (16 *) | 2.6 (66) | 3.2 (81.3) |