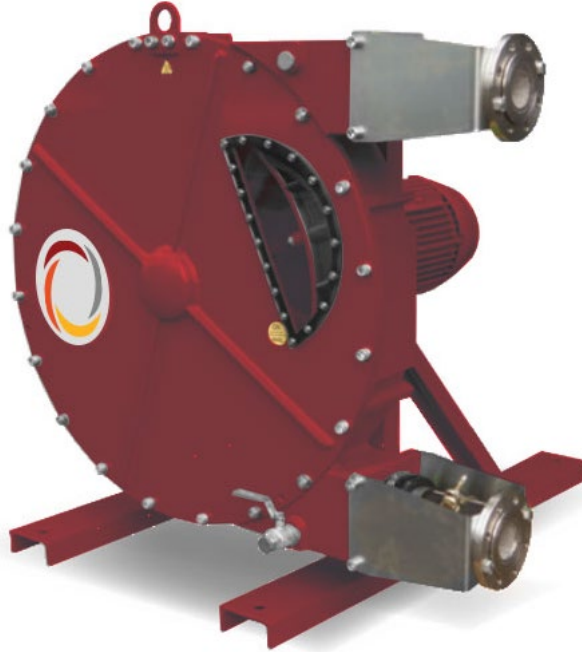


# CREST100

Open Flow Pumps



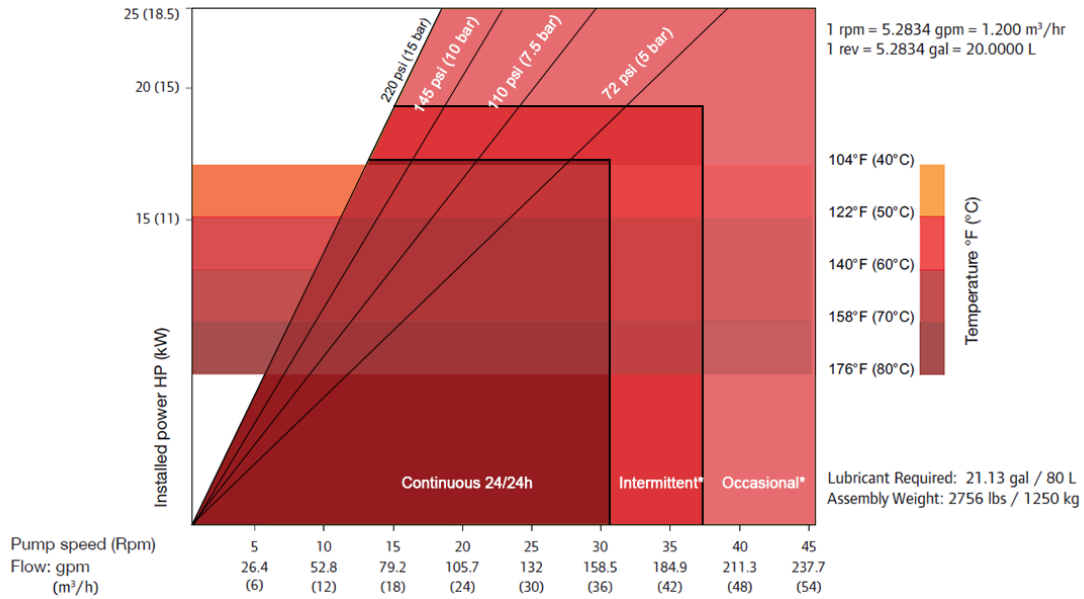
[DAEPUMPS.COM](http://DAEPUMPS.COM)

[info@daepumps.com](mailto:info@daepumps.com)

(760) 821-8112

# CREST100

## Data Sheet



\*Intermittent use : minimum one hour stop after 2 hours run / \*Occasional use : maximum one hour a day

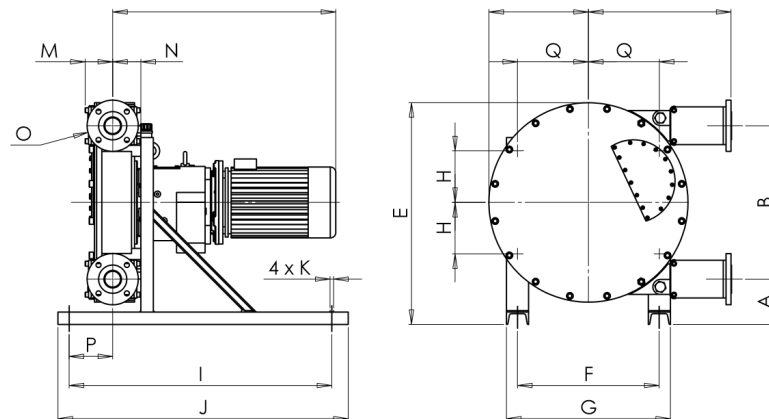
SHOE SHIMMING TABLE - CREST100

Pressure psi (bar)	Speed - Rpm Number of shims* - thickness 0.019 in (0.5 mm)	
$\Delta P \leq 72.5$ (5)	0 to 15	0
	15 to 50	0
$72.5$ (5) $\leq \Delta P \leq 108.75$ (7.5)	0 to 15	2
	15 to 32.5	1
$108.75$ (7.5) $\leq \Delta P \leq 145$ (10)	0 to 15	3
	15 to 25	2
$145$ (10) $\leq \Delta P \leq 217.5$ (15)	0 to 15	4
	15 to 20	3

\*Remove one shim if temperature exceeds 140° Fahrenheit (60° Celsius)

## DIMENSIONS

Inch (mm)



TYPE	A	B	C	D	E	F	G	H	I	J	K	L	M	N	O	P	Q
CREST100	11.8 (300)	40.9 (1040)	35.9 (911)	27.5 (698)	59.7 (1516)	32.3 (820)	37.8 (960)	15.2 (387)	74.8 (1900)	78.7 (2000)	4xø1.0 (4xø27)	-	5.8 (147)	5.1 (131)	ANSI 4 in / 150# DN100 PN16	14.2 (361)	15.2 (387)